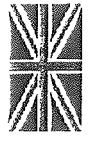
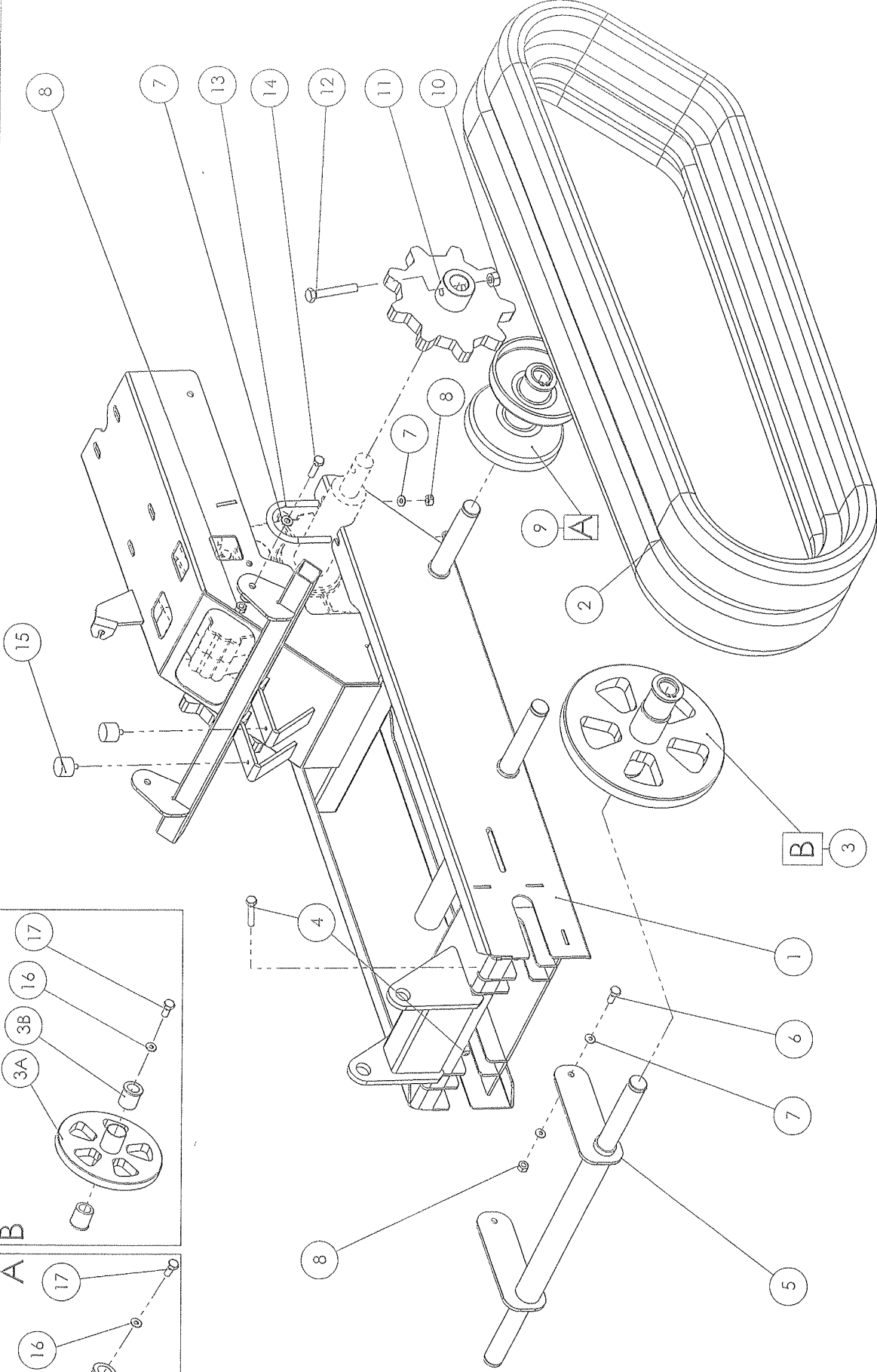
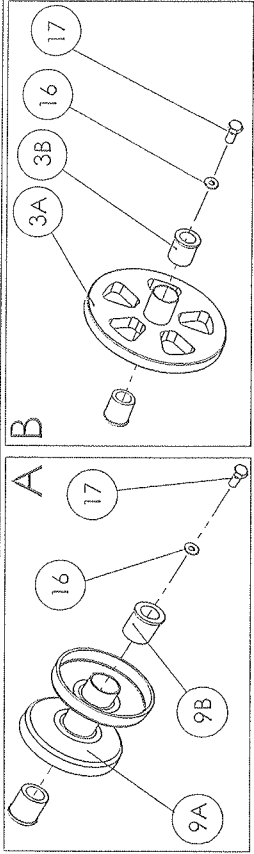


## ESPLOSO RICAMBI TRS 270

TAV. 01.00  
ED. 04/13

# MINIDUMPER

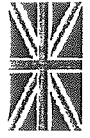


SOTTOCARRO UNDERCARRIAGE RAUPENFAHRWERK TRAIN DE CHENILLE CARRO DE ORUGA

# MINIDUMPER

TAV. 01.00  
ED. 04/13

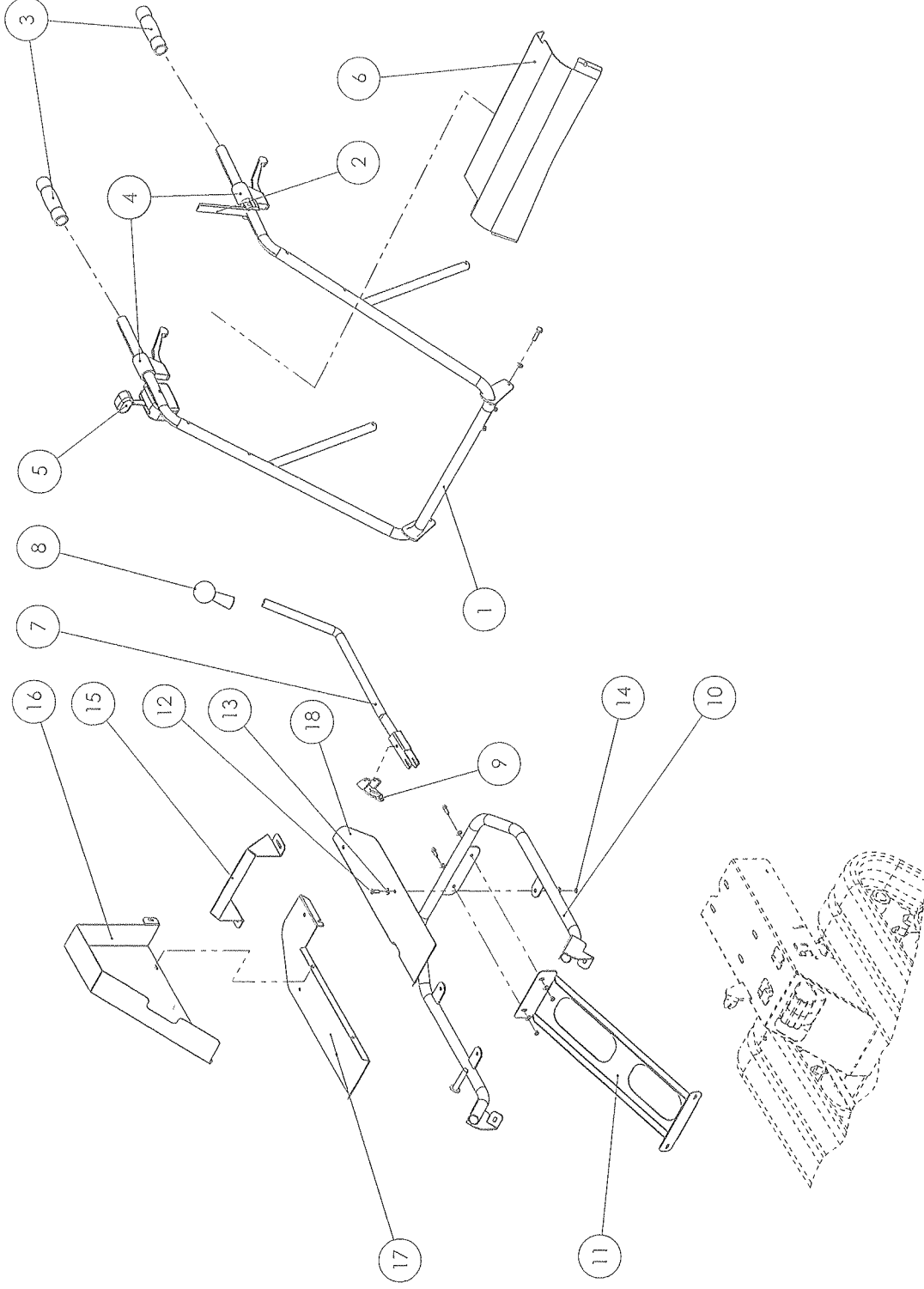
POS.	COD.	Q.TA'	DESCRIZIONE	DESCRIPTION	BENENNUNG	DÉSIGNATION	DESCRIPCIÓN
1	211501791	1	Telaio	Frame	Fahrgestell	Châssis	Bastidor
2	TS115027	2	Cingolo in gomma	Rubber track	Gummiraupenkette	Chenille en gomme	Oruga de goma
3	*****	2	Ruota tendicingolo completa	Track tightener wheel (complete)	Rolle des Kettenspanners komplett	Roue de tension de chenille complète	Rueda tensor completo
3 A	211501789	2	Ruota folle	Idle wheel	Roue libre	Lostrad	Rueda
3 B	200.013	4	Bronzina	Bearing brass	Bronzelager	Coussinet en bronze	Chumacera
4	*****	2	Vite M10x80 UNI5931	Screw M10x80 UNI5931	Schraube M10x80 UNI5931	Vis M10x80 UNI5931	Tornillo M10x80 UNI5931
5	211501806	1	Tensionatore M26	Tightener M26	Kettenspanner M26	Tenseur M26	Tensor M26
6	*****	2	Vite M8x20 UNI5931	Screw M8x20 UNI5931	Schraube M8x20 UNI5931	Vis M8x20 UNI5931	Tornillo M8x20 UNI5931
7	*****	10	Rondella ø8 UNI6592	Washer ø8 UNI6592	Unterlegscheibe ø8 UNI6592	Rondelle ø8 UNI6592	Disco ø8 UNI6592
8	*****	6	Dado Aut. M8 UNI7473	Self-locking nut M8 UNI7473	Selbstsperr. Mutter M8 UNI7473	Écrou Aut. M8 UNI7473	Tornillo Aut. M8 UNI7473
9	*****	4	Rullo guida completo	Complete guide roller	Führungsrolle, Komplett	Rouleau de guidage complet	Rodillo
9 A	STC401.049	4	Rullo	Roller	Rolle	Rouleau	Rodillo
9 B	200.013	8	Bronzina	Bearing brass	Bronzelager	Coussinet en bronze	Chumacera
10	*****	2	Dado Aut. M10 UNI7473	Self-locking nut M10 UNI7473	Selbstsperr. Mutter M10 UNI7473	Écrou Aut. M10 UNI7473	Tornillo Aut. M10 UNI7473
11	211501786	2	Ruota dentata	Toothed wheel	Roue dentée	Zahnrad	Rueda de arrastre
12	*****	2	Vite M10x60 UNI5931	Screw M10x60 UNI5931	Schraube M10x60 UNI5931	Vis M10x60 UNI5931	Tornillo M10x60 UNI5931
13	211501482	2	Supporto cambio	Speed change gear support	Halterung Wechselgetriebe	Support boîte de vitesses	Apoyar
14	*****	2	Vite M8x30 UNI5931	Screw M8x30 UNI5931	Schraube M8x30 UNI5931	Vis M8x30 UNI5931	Tornillo M8x30 UNI5931
15	050001208	2	Antivibrante	Vibration damping shim	Dämpfer	Plot anti-vibratile	Antivibración
16	*****	6	Rondella ø10 UNI6592	Washer ø10 UNI6592	Unterlegscheibe ø10 UNI6592	Rondelle ø10 UNI6592	Disco ø10 UNI6592
17	*****	6	Vite M10x20 UNI5931	Screw M10x20 UNI5931	Schraube M10x20 UNI5931	Vis M10x20 UNI5931	Tornillo M10x20 UNI5931



SOTTOCARRO UNDERCARRIAGE RAUPENFAHRWERK TRAIN DE CHENILLE CARRO DE ORUGA

TAV. 02.00  
ED. 04/13

# MINIDUMPER



CONSOLLE  
COMANDI

CONTROL  
PANEL

PANEEŁ DAS  
KONTROLLFELD

PANNEAU DE  
CONTRÔLE

PANEL DE  
CONTROL

# MINIDUMPER

TAV. 02.00  
ED. 04/13

POS.	COD.	Q.TA'	DESCRIZIONE	DESCRIPTION	BENENNUNG	DÉSIGNATION	DESCRIPCIÓN
1	211501432	1	Manubrio	Dummbell	Hantel	Haltère	Pesa
2	030000271	1	Leva avanzamento	Advance lever	Gangschaltung	Levier de avancement	Palanca de adelanto
3	305.009	2	Impugnatura	Handle	Handgriff	Poignée	Mango
4	030000255	2	Leva	Lever	Hebel	Levier	Palanca
5	305.031	1	Acceleratore	Throttle	Gaspedal	Accélérateur	Accelerador
6	211501784	1	Copertura	Cover	Decke	Couvrir	Cubrir
7	211501822	1	Leva cambio	Gear lever	Gangschaltung	Levier de vitesse	Palanca de cambios
8	0300000215	1	Impugnatura	Handle	Handgriff	Poignée	Mango
9	211501825	1	Supporto cambio	Speed change gear support	Halterung Wechselgetriebe	Support boîte de vitesses	Apoyar
10	211501814	1	Copertura	Housing support	Support Gehäuse	Soutien au logement	Apoyo a la vivienda
11	211501833	1	Protezione	Protection	Schutz	Protection	Protección
12	*****	8	Vite M6x20 UNI5931	Screw M6x20 UNI5931	Schraube M6x20 UNI5931	Vis M6x20 UNI5931	Tornillo M6x20 UNI5931
13	*****	16	Rondella ø6 UNI6592	Washer ø6 UNI6592	Unterlegscheibe ø6 UNI6592	Rondelle ø6 UNI6592	Disco ø6 UNI6592
14	*****	8	Dado Aut. M6 UNI7473	Self-locking nut M6 UNI7473	Selbstsper. Mutter M6 UNI7473	Écrou Aut. M6 UNI7473	Tornillo Aut. M6 UNI7473
15	211501810	1	Lamiera cambio	Gear sheet	Blatt	Feuille de vitesse	Hoja de cambios
16	211501813	1	Carter	Carter	Carter	Carter	Carter
17	211501811	1	Copertura DX	Cover DX	Decke DX	Couvrir DX	Cubrir DX
18	211501812	1	Copertura SX	Cover SX	Decke SX	Couvrir SX	Cubrir SX

CONSOLE  
COMANDI

CONTROL  
PANEL

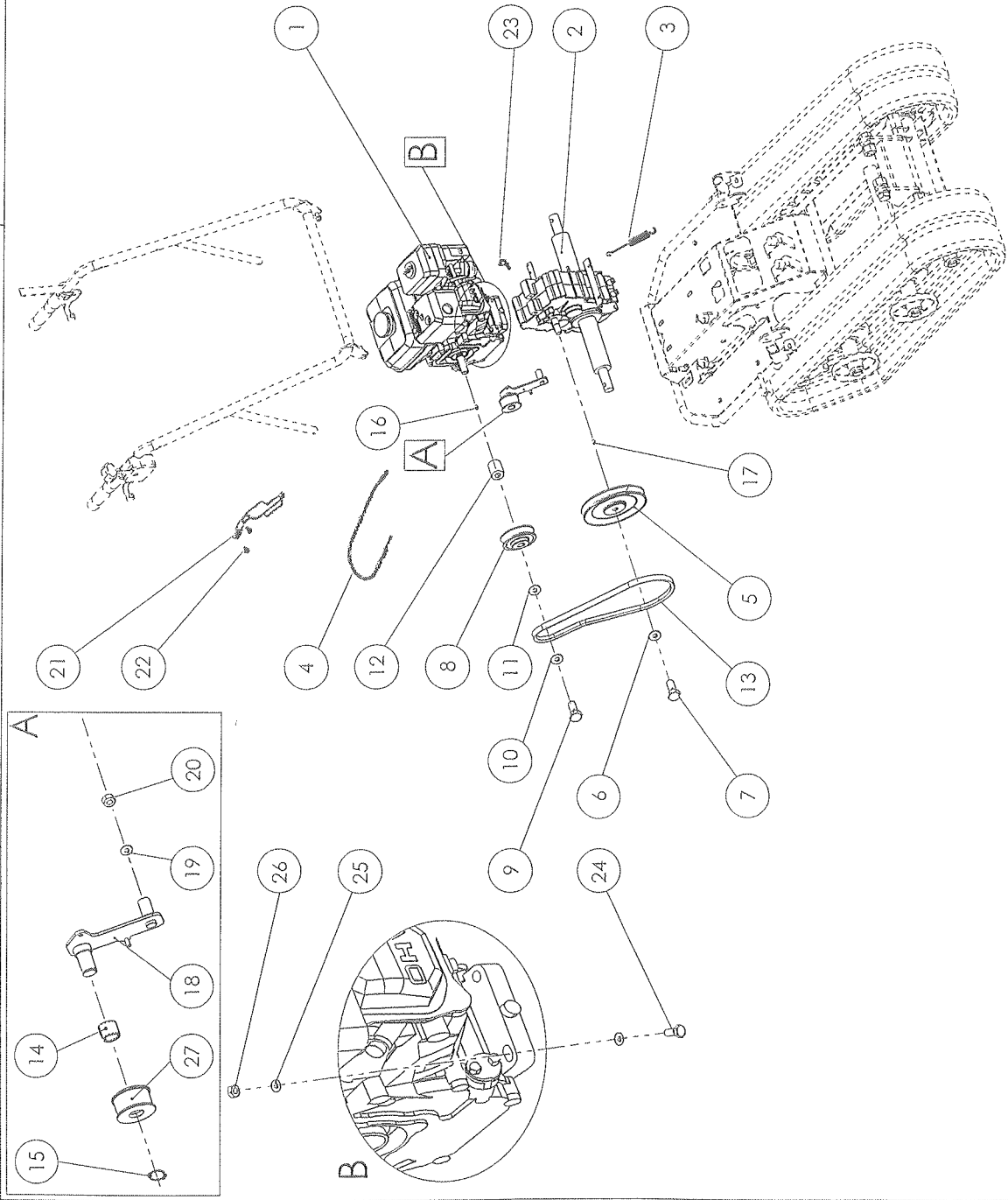
PANEEU DAS  
KONTROLLFELD



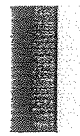


PANNEAU DE  
CONTRÔLE

PANEL DE  
CONTROL

TAV. 03.00  
ED. 04/13

# MINIDUMPER



	TRASSMISSIONE		TRANSMISSION		TRANSMISSION		TRANSMISSION		LÍNEA DE DISTRIBUCIÓN
---	---------------	---	--------------	---	--------------	---	--------------	---	-----------------------

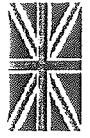
# MINIDUMPER

TAV. 03.00  
ED. 04/13

POS.	COD.	Q.TA'	DESCRIZIONE	DESCRIPTION	BENENNING	DÉSIGNATION	DESCRIPCIÓN
1	TS115028	1	Motore	Motor	Motor	Moteur	Motor
2	023000129	1	Cambio	Speed gear	Wechselgetriebe	Boîte de vitesses	Caja de velocidades
3	211501493	1	Molla	Spring	Feder	Ressort	Molla
4	030000281	1	Cavo freno	Brake cable	Kabel	Câble	Cable
5	211500070	1	Puleggia condotta	Driven pulley	Getriebene Scheibe	Poulie d'entraînement	Pollita
6	*****	1	Rondella ø6 UNI6592	Washer ø6 UNI6592	Unterlegscheibe ø6 UNI6592	Rondelle ø6 UNI6592	Disco ø6 UNI6592
7	*****	1	Vite M6x20 UNI5931	Screw M6x20 UNI5931	Schraube M6x20 UNI5931	Vis M6x20 UNI5931	Tornillo M6x20 UNI5931
8	211500068	1	Puleggia motrice	Driving pulley	Antriebs-scheibe	Poulie motrice	Pollita
9	*****	1	Vite TE-UNF 5/16-24X3/4	Screw M6x20 UNI5931	Schraube M6x20 UNI5931	Vis M6x20 UNI5931	Tornillo M6x20 UNI5931
10	*****	4	Rondella grower ø8	Split washer ø8	Grower-Unterlegscheibe ø8	Rondelle grower ø8	Disco grower ø8
11	*****	1	Rondella ø8 UNI6592	Washer ø8 UNI6592	Unterlegscheibe ø8 UNI6592	Rondelle ø8 UNI6592	Disco ø8 UNI6592
12	MD300.20.00	1	Distanziale	Spacer	Distanzstück	Entretroise	Espaciador
13	TS115029	1	Cinghia	Belt	Riemen	Courroie	Correa
14	TS115026	1	Cuscinetto a Rulli ø26	Bearing ø26	Zylinderrollenlager ø26	Roulement ø26	Rodamiento ø26
15	*****	1	Seeger ø20 UNI7435	Seeger ø20 UNI7435	Seeger ø20 UNI7435	Seeger ø20 UNI7435	Seeger ø20 UNI7435
16	*****	1	Chiavetta	Key	Schlüssel	Clavette	Chaveta
17	*****	1	Chiavetta	Key	Schlüssel	Clavette	Chaveta
18	211501818	1	Leva tendicinghia	Belt tightener lever	Hebel Riemenspanner	Levier du tendeur de courroie	Palanca
19	*****	1	Rondella piana ø16	Flat washer ø16	Flache Unterlegscheibe ø16	Rondelle plate ø16	Disco ø16
20	*****	1	Dado Aut. M16 UNI7473	Self-locking nut M16 UNI7473	Selbstsperr. Mutter M16 UNI7473	Écrou Aut. M16 UNI7473	Tornillo Aut. M16 UNI7473
21	MD300.48.00	1	Ferma Cinghia	Belt retainer	Riemenhalter	Arrêt courroie	Cerradura correa
22	*****	5	Vite TE-UNF 5/16-24X3/4	Screw M6x20 UNI5931	Schraube M6x20 UNI5931	Vis M6x20 UNI5931	Tornillo M6x20 UNI5931
23	211501379	2	Ferma Cinghia	Belt retainer	Riemenhalter	Arrêt courroie	Cerradura correa
24	*****	4	Vite M8x40 UNI5931	Screw M8x40 UNI5931	Schraube M8x40 UNI5931	Vis M8x40 UNI5931	Tornillo M8x40 UNI5931
25	*****	8	Rondella ø8 UNI6592	Washer ø8 UNI6592	Unterlegscheibe ø8 UNI6592	Rondelle ø8 UNI6592	Disco ø8 UNI6592
26	*****	4	Dado Aut. M8 UNI7473	Self-locking nut M8 UNI7473	Selbstsperr. Mutter M8 UNI7473	Écrou Aut. M8 UNI7473	Tornillo Aut. M8 UNI7473
27	211501821	1	Rullo	Roller	Walze	Roulet	Rodillo



LINEA DE  
DISTRIBUCION



TRANSMISSION

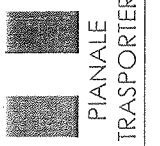
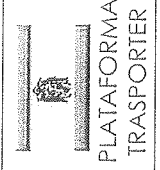
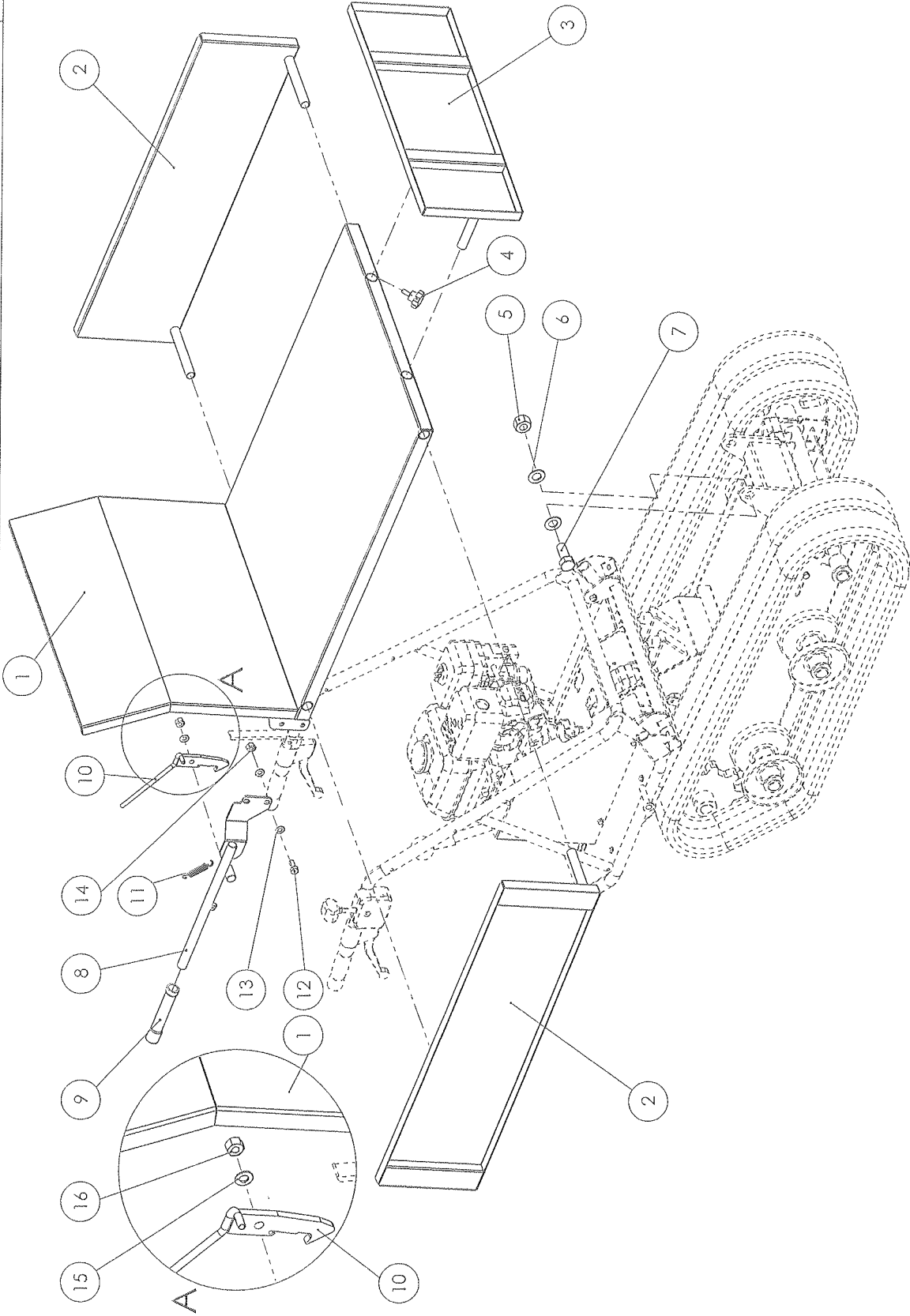
TRANSMISSION

TRANSMISSION

TRANSMISSION

TAV. 04.00  
ED. 04/13

# MINIDUMPER





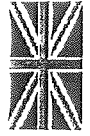
# MINIDUMPER

TAV. 04.00  
ED. 04/13

POS.	COD.	Q.TA'	DESCRIZIONE	DESCRIPTION	BENENNING	DÉSIGNATION	DESCRIPCIÓN
1	211501829	1	Pianale	Transport bed	Ladeprütsche	Plate-forme	Plataforma
2	211501843	2	Sponda	Panel	Bordwand	Hailion	Borde lateral
3	211501844	1	Sponda anteriore	Front panel	Vordere Bordwand	Hailion avant	Borde delantero
4	305.016	6	Volantino M8	Wheel M8	Drehknöpf M8	Volant M8	Flyer M8
5	*****	2	Dado Aut. M20 UNI7473	Self-locking nut M20 UNI7473	Selbstsperr. Mutter M20 UNI7473	Écrou Aut. M20 UNI7473	Tornillo Aut. M20 UNI7473
6	*****	4	Rondella ø20 UNI6592	Washer ø20 UNI6592	Unterlegscheibe ø20 UNI6592	Rondelle ø20 UNI6592	Disco ø20 UNI6592
7	*****	2	Vite M20x50 UNI5931	Screw M20x50 UNI5931	Schraube M20x50 UNI5931	Vis M20x50 UNI5931	Tornillo M20x50 UNI5931
8	MD300.63.00	1	Maniglia	Handle	Handhaben	Gérer	Tirador
9	030000216	1	Manopola	Knob	Handgriff	Poignée	Mando
10	MD300.56.00	1	Gancio	Hook	Haken	Crochet	Gancho
11	MTR250.04.05	1	Molla	Spring	Sprungfeder	Ressort	Muelle
12	*****	2	Vite M10x25 UNI5931	Screw M10x25 UNI5931	Schraube M10x25 UNI5931	Vis M10x25 UNI5931	Tornillo M10x25 UNI5931
13	*****	4	Rondella ø10 UNI6592	Washer ø10 UNI6592	Unterlegscheibe ø10 UNI6592	Rondelle ø10 UNI6592	Disco ø10 UNI6592
14	*****	2	Dado Aut. M10 UNI7473	Self-locking nut M10 UNI7473	Selbstsperr. Mutter M10 UNI7473	Écrou Aut. M10 UNI7473	Tornillo Aut. M10 UNI7473
15	*****	1	Rondella ø8 UNI6592	Washer ø8 UNI6592	Unterlegscheibe ø8 UNI6592	Rondelle ø8 UNI6592	Disco ø8 UNI6592
16	*****	1	Dado Aut. M8 UNI7473	Self-locking nut M8 UNI7473	Selbstsperr. Mutter M8 UNI7473	Écrou Aut. M8 UNI7473	Tornillo Aut. M8 UNI7473



PIANALE  
TRASPORTER



FLATBED  
TRASPORTER



PRIITSCHE  
TRASPORTER



PLATE-FORME  
TRASPORTER



PLATAFORMA  
TRASPORTER